

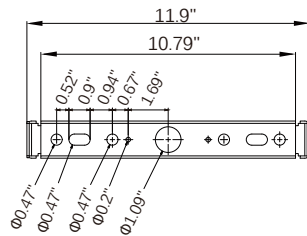
# ADVANCED HIGH CEILING Whiz Bidirectional - Bracket



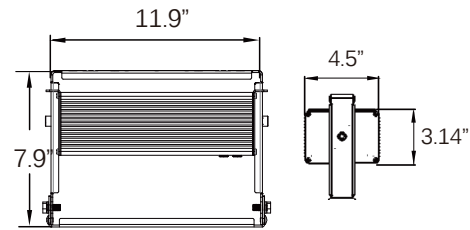
## IMPORTANT SAFETY INFORMATION. READ AND FOLLOW ALL SAFETY INSTRUCTIONS

IMPORTANT SAFETY INFORMATION. READ AND FOLLOW ALL SAFETY INSTRUCTIONS. Before wiring to power supply and during servicing or relamping, turn off power at fuse or circuit breaker. All servicing or relamping must be performed by qualified service personnel. Product must be grounded to avoid potential electric shock or other potential hazard. Product must be at locations and at heights and in a manner consistent with its intended use, and in compliance with Electrical Code and local codes.

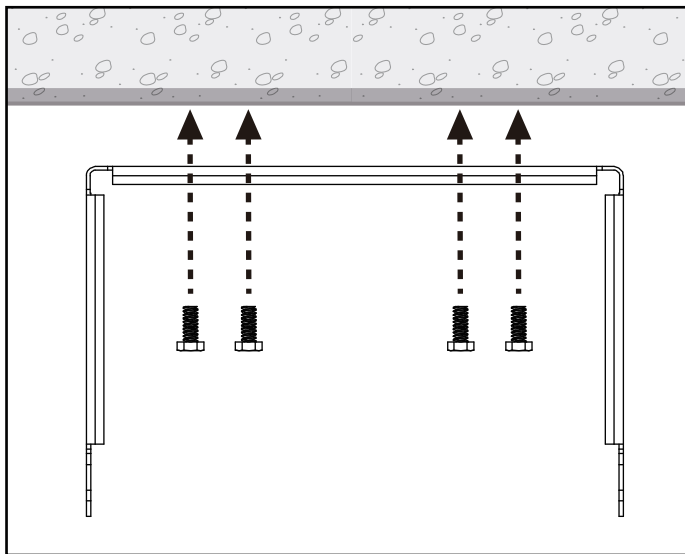
**SAVE THESE INSTRUCTIONS FOR FUTURE REFERENCE.**



Bracket

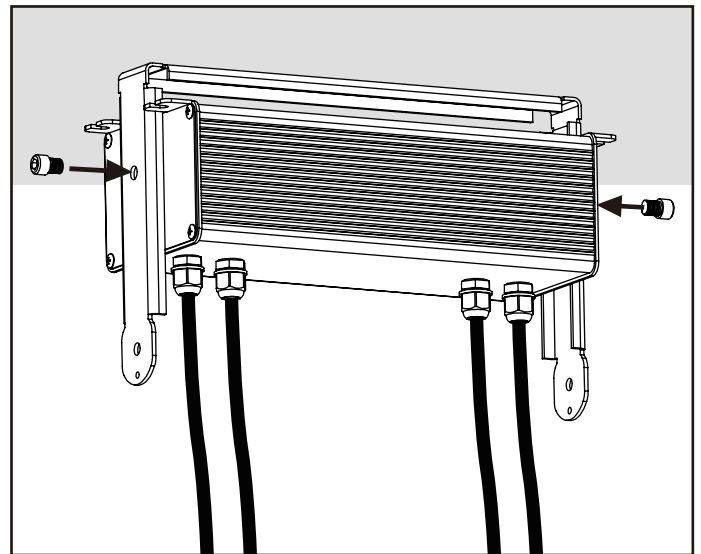


Power Box



### Step 1

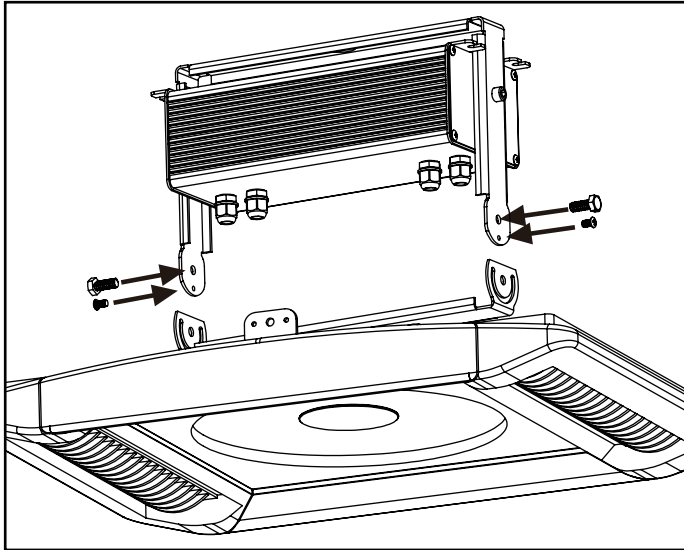
Secure bracket to level surface with mounting hardware that is sufficient to support weight of LED fixture and power box.



### Step 2

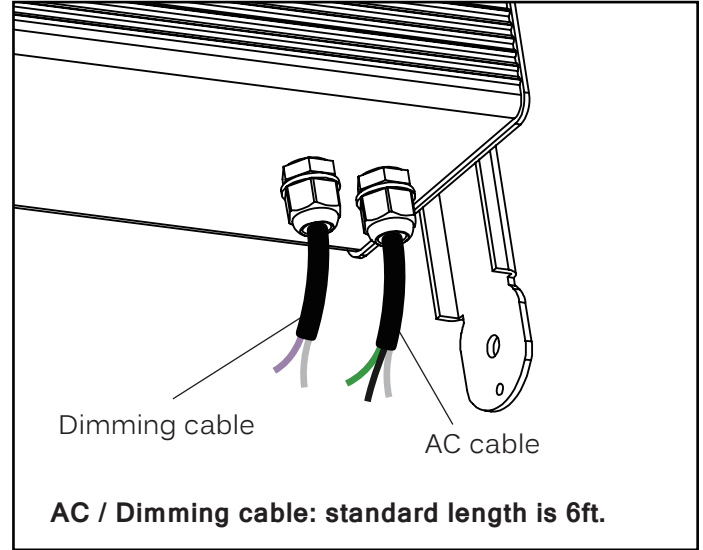
Secure power supply box to bracket with provided screws.

# ADVANCED HIGH CEILING Whiz Bidirectional - Bracket



### Step 3

Secure LED fixture onto bracket with provided self-locking fastener and screw.



### Step 4

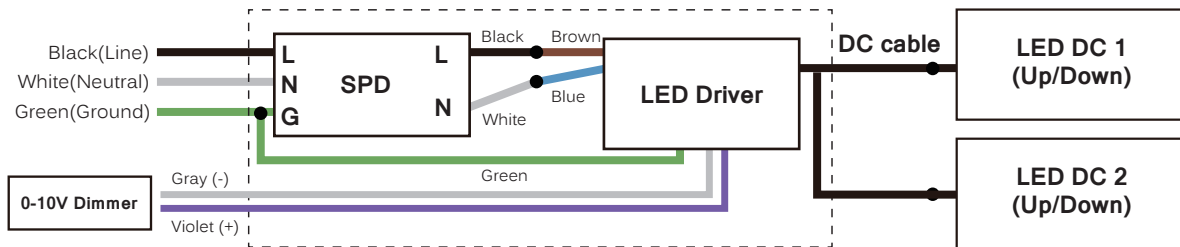
Connect power input wires with corresponding black/white/green wires using attached connector at the end of the wires.

# ADVANCED HIGH CEILING

## Whiz Bidirectional

### Wiring Diagram

Standard 0-10V: Single Dimming Switch (Controls up and down dimming together)



Optional 0-10V: Dual Dimming Switch: Controls up and down dimming separately

